

2018

STEMOD

LED Lighting Fixture Catalog

Street light / High bay / Flood light / Tunnel light / Canopy

STEMOD



STEMOD Technology LTD. was established in Taiwan since 2011. Our company is a manufacturer specialized in the research, development and production of industrial LED lighting.

Our factory is located in Shenzhen with convenient transportation access.

Our well-equipped facilities and excellent quality control throughout all stages of production enables us to guarantee customer satisfaction.

All of our products comply with international quality standards and are greatly appreciated in a variety of different markets throughout the world.

Uphold the unity and cooperation, sincere attitude, perfect service, production innovation, we are looking forward to forming successful business relationships with clients around the world in the near future.



Cooperation



Service



Quality



Innovation

CONTENT

02 Company Profile

04 High Bay

22 Flood Light

30 Street Light

38 Tunnel Light

42 Canopy

STEMOD



High Bay

Linear Cloud in USA, 2017.



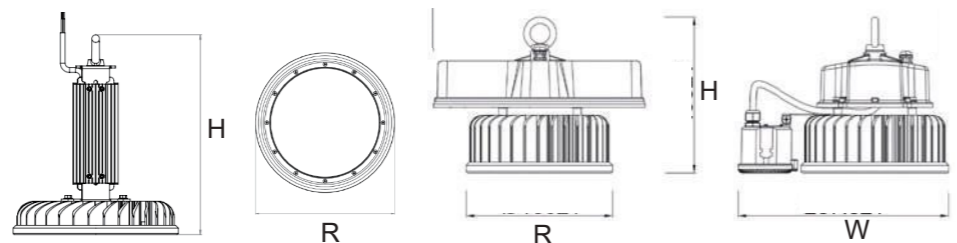
factory



warehouse

Sunshine

EU



Model	Vertical			Horizontal			
	100W	150W	200W	100W	150W	200W	360W
H	318	293	381	198	173	183	275
R	185	240	280	185	240	280	330
W				268	323	363	415

(mm)

Input Voltage	220-240 VAC : 120-277 VAC
Frequency	50 / 60 Hz
Power Consumption	100W : 150W : 200W : 360W
Power Factor	>0.95
Dimming Function	1-10V : DALI : Motion Sensor : Bluetooth
Optical Design	60° / 90° / 120°
IP Rating	IP66
Operating Temperature	-40°C~+50°C
LED Lifetime	> 50,000 hrs @ L70
Safety Standard	TUV-CE : CB

Vertical version

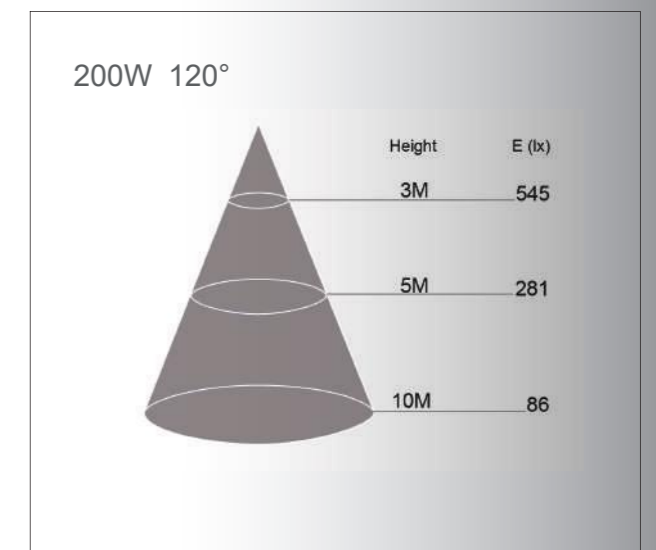
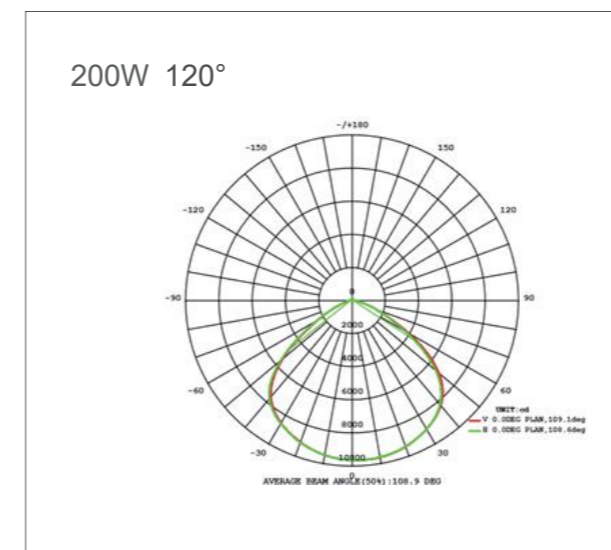
Model	100W	150W	200W
Package Dimensions	225x225x370mm	280x280x325mm	320x320x435mm
Net weight	2.4 Kg	2.8 Kg	4.1 Kg
Gross weight	3.3 Kg	3.9 Kg	5.4 Kg

Horizontal version

Model	100W	150W	200W	360W
Package Dimensions	310x310x250mm	310x370x230mm	320x410x225mm	370x370x315mm
Net weight	2.7 Kg	3.7 Kg	4.5 Kg	8.5 Kg
Gross weight	3.7 Kg	4.7 Kg	5.6 Kg	9.5 Kg

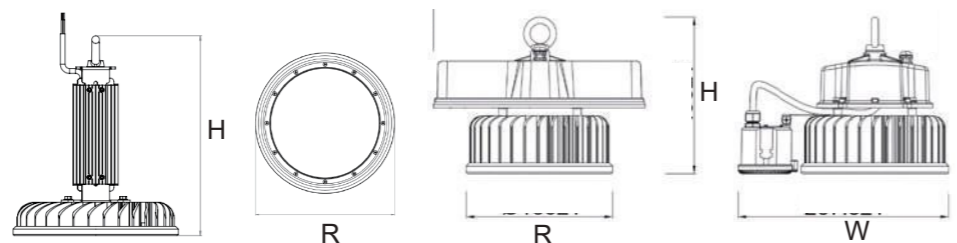


		100W	150W	200W	360W
3000K	Luminous Flux	13,500 lm	20,250 lm	27,000 lm	43,200 lm
	Luminous Efficiency	Up to 135 lm/W			Up to 120 lm/W
	Colour Rendering Index	70 min			
4000K	Luminous Flux	14,500 lm	21,750 lm	29,000 lm	46,800 lm
	Luminous Efficiency	Up to 145 lm/W			Up to 130 lm/W
	Colour Rendering Index	70 min			
5000K	Luminous Flux	14,500 lm	21,750 lm	29,000 lm	46,800 lm
	Luminous Efficiency	Up to 145 lm/W			Up to 130 lm/W
	Colour Rendering Index	70 min			



Sunshine

US



Model	Vertical			Horizontal			
	100W	150W	200W	100W	150W	200W	360W
H	344	391	401	198	173	183	275
R	185	240	280	185	240	280	330
W				267	322	362	415

(mm)

Input Voltage	120-277 VAC : 347-480 VAC
Frequency	50 / 60 Hz
Power Consumption	100W : 150W : 200W : 360W
Power Factor	>0.95
Dimming Function	1-10V : DALI : Motion Sensor : Bluetooth
Optical Design	60° / 90° / 120°
IP Rating	Wet Location
Operating Temperature	-40°C~+50°C
LED Lifetime	> 50,000 hrs @ L70
Safety Standard	UL & cUL (120-277 VAC : 347 VAC)

Vertical version

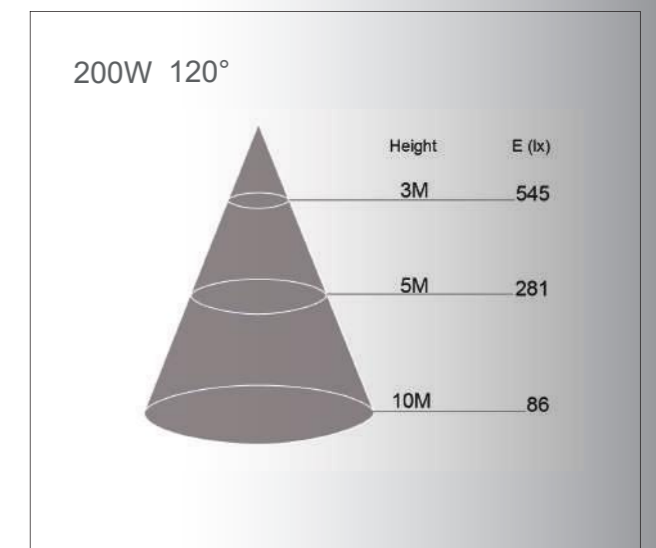
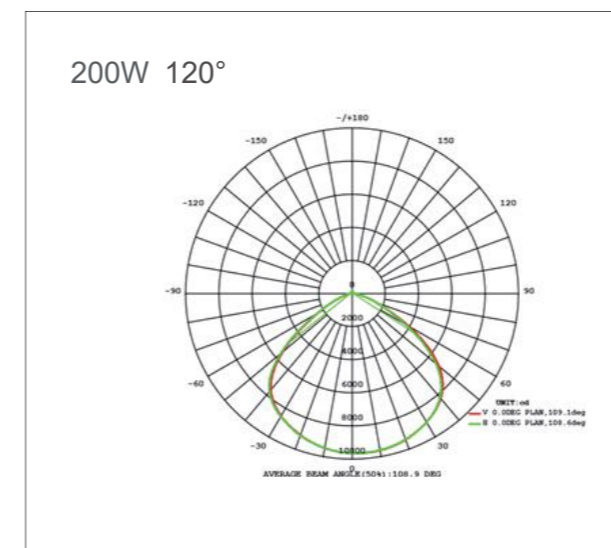
Model	100W	150W	200W
Package Dimensions	225x225x400mm	280x280x440mm	320x320x450mm
Net weight	2.6 Kg	3.6 Kg	4.4 Kg
Gross weight	3.5 Kg	5.0 Kg	5.8 Kg

Horizontal version

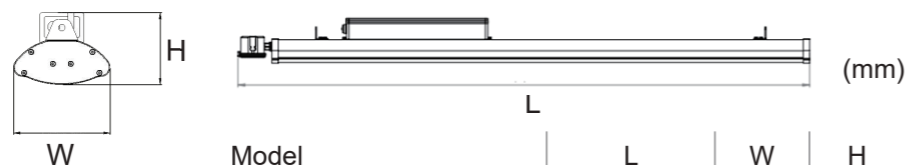
Model	100W	150W	200W	360W
Package Dimensions	310x310x250mm	310x370x230mm	320x410x225mm	370x370x315mm
Net weight	2.7 Kg	3.7 Kg	4.5 Kg	8.5 Kg
Gross weight	3.7 Kg	4.7 Kg	5.6 Kg	9.5 Kg



	100W	150W	200W	360W	
3000K	Luminous Flux	13,500 lm	20,250 lm	27,000 lm	43,200 lm
	Luminous Efficiency	Up to 135 lm/W			Up to 120 lm/W
	Colour Rendering Index	70 min			
4000K	Luminous Flux	14,500 lm	21,750 lm	29,000 lm	46,800 lm
	Luminous Efficiency	Up to 145 lm/W			Up to 130 lm/W
	Colour Rendering Index	70 min			
5000K	Luminous Flux	14,500 lm	21,750 lm	29,000 lm	46,800 lm
	Luminous Efficiency	Up to 145 lm/W			Up to 130 lm/W
	Colour Rendering Index	70 min			



Linear Cloud wide



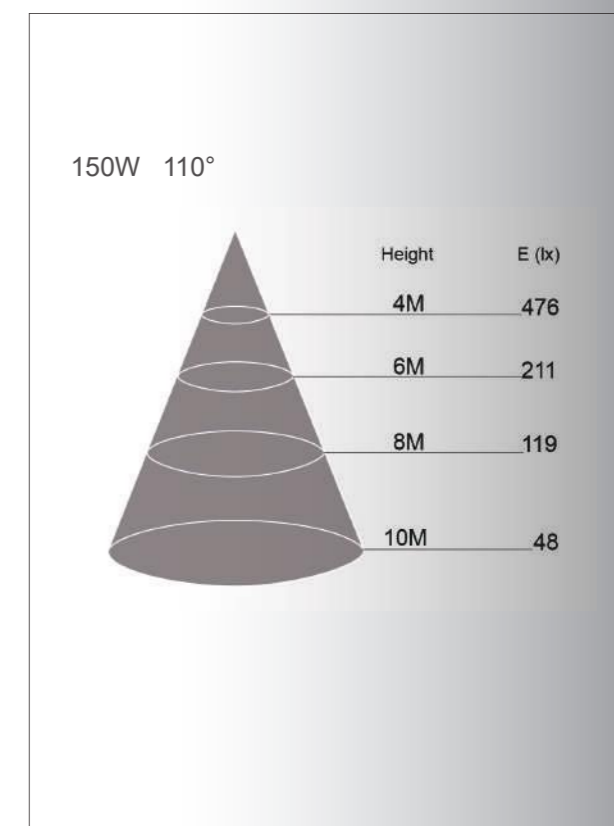
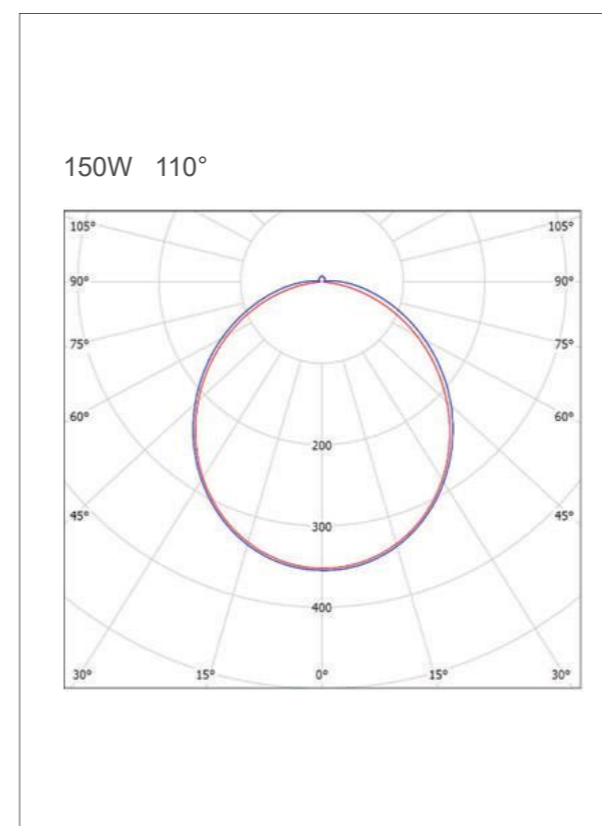
Model	L	W	H
Sensor and Junction box	1620 ~ 1200	150	151
Junction box	1600 ~ 1200		111
External			

Input Voltage	120-277 VAC : 220-240 VAC : 347-480 VAC
Frequency	50 / 60 Hz
Power Consumption	75W-150W (4ft) : 75W-180W (5ft)
Power Factor	>0.95
Dimming Function	1-10V : DALI : Motion Sensor : Bluetooth
Optical Design	110°
IP Rating	IP66 : Wet Location
Operating Temperature	-40°C~+50°C
LED Lifetime	> 50,000 hrs @ L70
Safety Standard	UL & cUL (120-277 VAC : 347 VAC) : CE



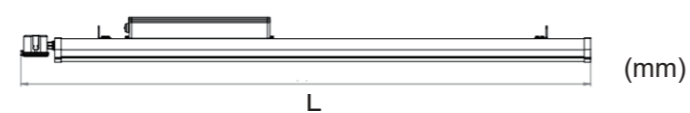
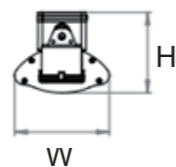
Model	150W	180W
Package Dimensions	1340x172x188mm	1640x172x188mm
Net weight	3.8 Kg	4.7 Kg
Gross weight	4.8 Kg	5.8 Kg

		150W	180W
3000K	Luminous Flux	21,750 lm	26,100 lm
	Luminous Efficiency	145 lm/W	
	Colour Rendering Index	70 min	
4000K	Luminous Flux	24,000 lm	28,800 lm
	Luminous Efficiency	160 lm/W	
	Colour Rendering Index	70 min	
5000K	Luminous Flux	24,000 lm	28,800 lm
	Luminous Efficiency	160 lm/W	
	Colour Rendering Index	70 min	



Linear Cloud

Narrow



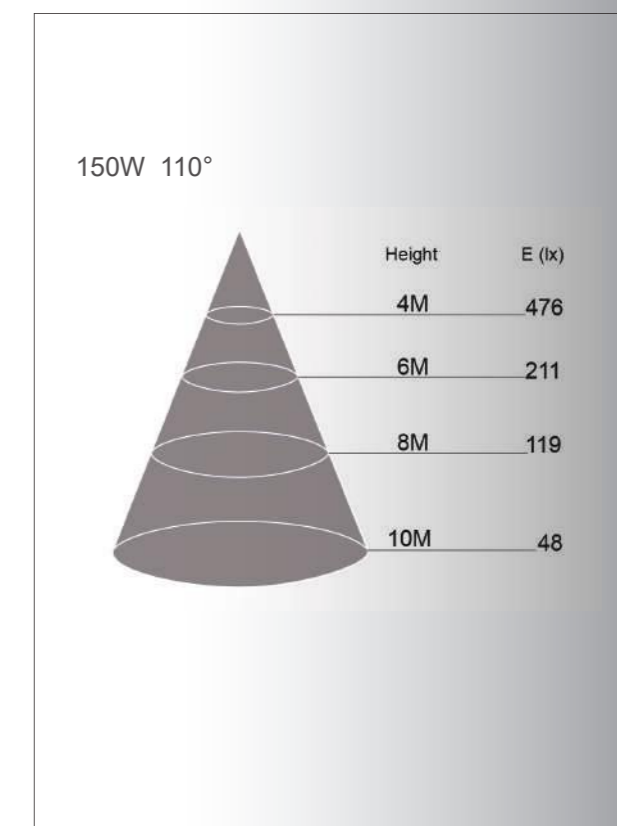
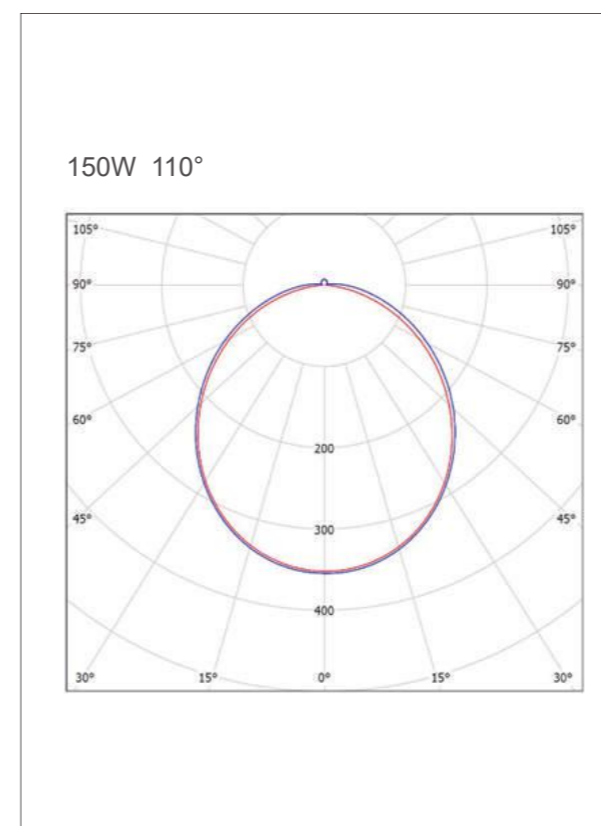
Model	L	W	H
Sensor and Junction box	1620 ~ 1200	132	138
Junction box	1600 ~ 1200		97
External			

Input Voltage	120-277 VAC : 220-240 VAC : 347-480 VAC
Frequency	50 / 60 Hz
Power Consumption	75W-150W (4ft) : 75W-180W (5ft)
Power Factor	>0.95
Dimming Function	1-10V : DALI : Motion Sensor : Bluetooth : Zigbee
Optical Design	110°
IP Rating	IP66 : Wet Location
Operating Temperature	-40°C~+50°C
LED Lifetime	> 50,000 hrs @ L70
Safety Standard	ETL (120-277 VAC : 347 VAC) : CE



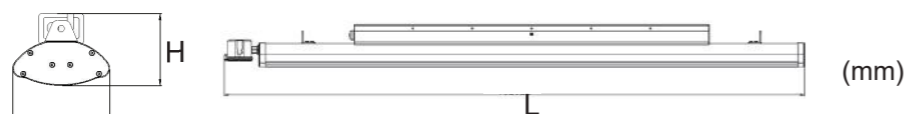
Model	150W	180W
Package Dimensions	1340x172x188mm	1640x172x188mm
Net weight	3.8 Kg	4.7 Kg
Gross weight	4.8 Kg	5.8 Kg

		150W	180W
3000K	Luminous Flux	21,750 lm	26,100 lm
	Luminous Efficiency	145 lm/W	
	Colour Rendering Index	70 min	
4000K	Luminous Flux	24,000 lm	28,800 lm
	Luminous Efficiency	160 lm/W	
	Colour Rendering Index	70 min	
5000K	Luminous Flux	24,000 lm	28,800 lm
	Luminous Efficiency	160 lm/W	
	Colour Rendering Index	70 min	



Linear Cloud

wide
Narrow



Model	L	W	H
Wide	Sensor and Junction box	1620 \ 1220	120
	Junction box	1600 \ 1200	
Narrow	Sensor and Junction box	1620 \ 1220	
	Junction box	1600 \ 1200	

Input Voltage	120-277 VAC : 347-480 VAC
Frequency	50 / 60 Hz
Power Consumption	75W-150W (4ft) : 75W-180W (5ft)
Power Factor	>0.95
Optical Design	110°
IP Rating	Wet Location
Operating Temperature	-40°C~+50°C
LED Lifetime	> 50,000 hrs @ L70
Safety Standard	UL & cUL prepared

Emergency

When emergency

Maximum Output Power	20W	
Illumination Time	90 mins	
Battery Type	Ni-Cd	Ni-MH
Recharge Time	24 hours	
Test Switch	Provided	
Charging Indicator Light	Provided	
Operating Temperature	0°C~+50°C	

Model	150W	180W
Package Dimensions	1340x190x200mm	1640x190x200mm
Net weight	9.3 Kg	10.7 Kg
Gross weight	10.5 Kg	12.2 Kg

		150W	180W
3000K	Luminous Flux	21,750 lm	26,100 lm
	Luminous Efficiency	145 lm/W	
	Colour Rendering Index	70 min	
4000K	Luminous Flux	24,000 lm	28,800 lm
	Luminous Efficiency	160 lm/W	
	Colour Rendering Index	70 min	
5000K	Luminous Flux	24,000 lm	28,800 lm
	Luminous Efficiency	160 lm/W	
	Colour Rendering Index	70 min	

When emergency

		20W
3000K	Luminous Flux	2,900 lm
	Luminous Efficiency	145 lm/W
	Colour Rendering Index	70 min
4000K	Luminous Flux	3,200 lm
	Luminous Efficiency	160 lm/W
	Colour Rendering Index	70 min
5000K	Luminous Flux	3,200 lm
	Luminous Efficiency	160 lm/W
	Colour Rendering Index	70 min

Smooth Linear



Model	L	W	H
40W	610	95	57
75W	1220		
75W	1520		

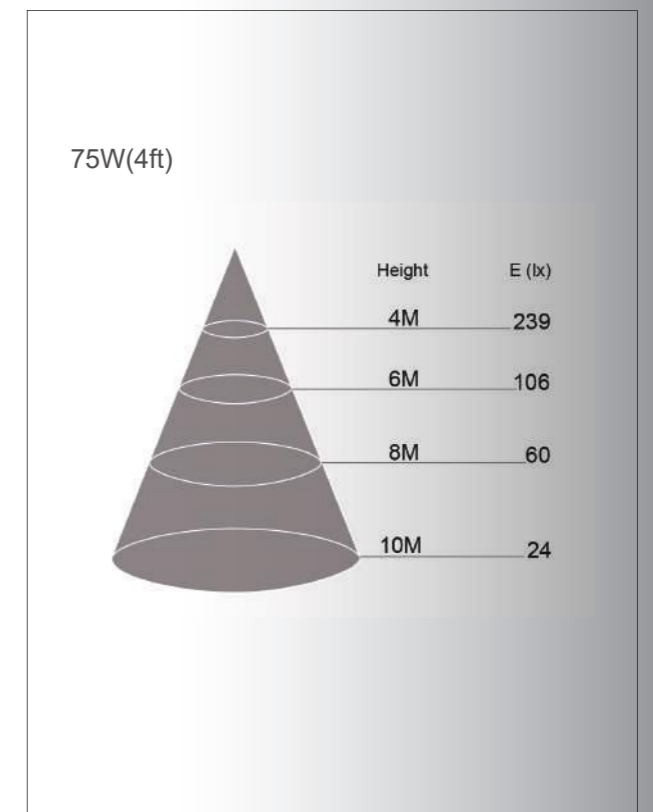
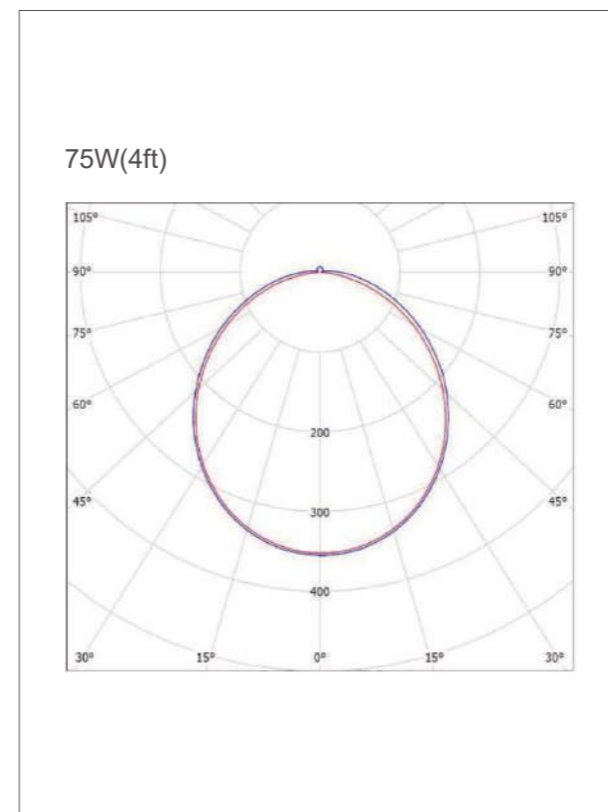
(mm)

Input Voltage	120-277 VAC : 220-240 VAC : 347 VAC
Frequency	50 / 60 Hz
Power Consumption	20W-40W (2ft) : 40W-75W (4ft & 5ft)
Power Factor	>0.95
Dimming Function	1-10V : DALI : Motion Sensor : Bluetooth : Zigbee
Optical Design	110°
IP Rating	IP65 : Wet Location
Operating Temperature	-40°C~+50°C
LED Lifetime	> 50,000 hrs @ L70
Safety Standard	ETL (120-277 VAC : 347 VAC) : CE

Model	40W	75W (4ft)	75W (5ft)
Package Dimensions	610x95x57mm	1220x95x57mm	1520x95x57mm
Net weight	1.7 Kg	3.4 Kg	3.6 Kg
Gross weight	2.2 Kg	4.4 Kg	4.9 Kg



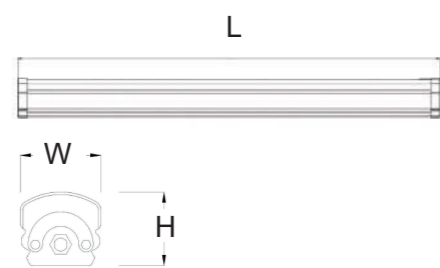
	40W	75W (4ft)	75W (5ft)
3000K	Luminous Flux	5,200 lm	9,750 lm
	Luminous Efficiency	130 lm/W	
	Colour Rendering Index	80 min	
4000K	Luminous Flux	5,800 lm	10,875 lm
	Luminous Efficiency	145 lm/W	
	Colour Rendering Index	80 min	
5000K	Luminous Flux	5,800 lm	10,875 lm
	Luminous Efficiency	145 lm/W	
	Colour Rendering Index	80 min	



Stream Linear



Model	20W	40W	60W
Package Dimensions	610x70x62mm	1220x70x62mm	1520x70x62mm
Net weight	0.85 Kg	1.7 Kg	1.8 Kg
Gross weight	1.1 Kg	2.2 Kg	2.45 Kg

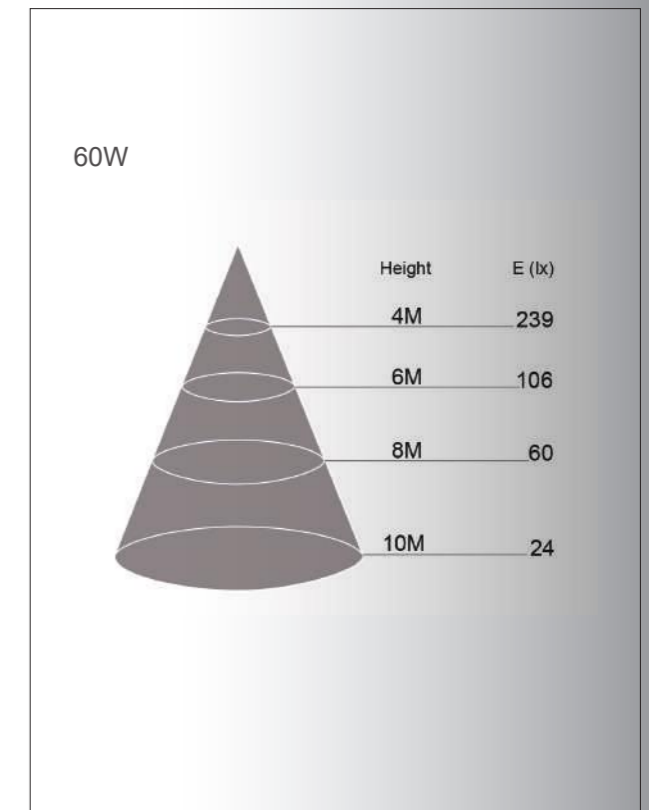
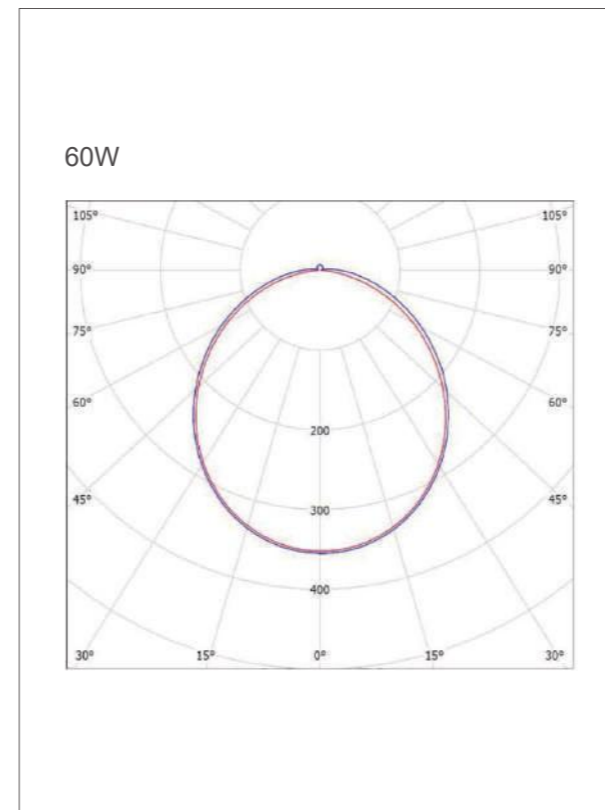


Model	L	W	H
20W	610	60	52
40W	1220		
60W	1520		

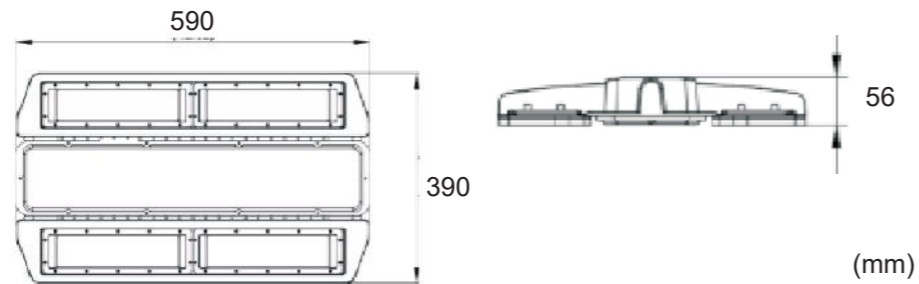
(mm)

Input Voltage	220-240 VAC
Frequency	50 / 60 Hz
Power Consumption	20W-60W
Power Factor	>0.95
Dimming Function	1-10V
Optical Design	110°
IP Rating	IP65
Operating Temperature	-40°C~+50°C
LED Lifetime	> 50,000 hrs @ L70
Safety Standard	CE

		20W	40W	60W
3000K	Luminous Flux	2,200 lm	4,400 lm	6,600 lm
	Luminous Efficiency	110 lm/W		
	Colour Rendering Index	80 min		
4000K	Luminous Flux	2,400 lm	4,800 lm	7,200 lm
	Luminous Efficiency	120 lm/W		
	Colour Rendering Index	80 min		
5000K	Luminous Flux	2,400 lm	4,800 lm	7,200 lm
	Luminous Efficiency	120 lm/W		
	Colour Rendering Index	80 min		



square sky



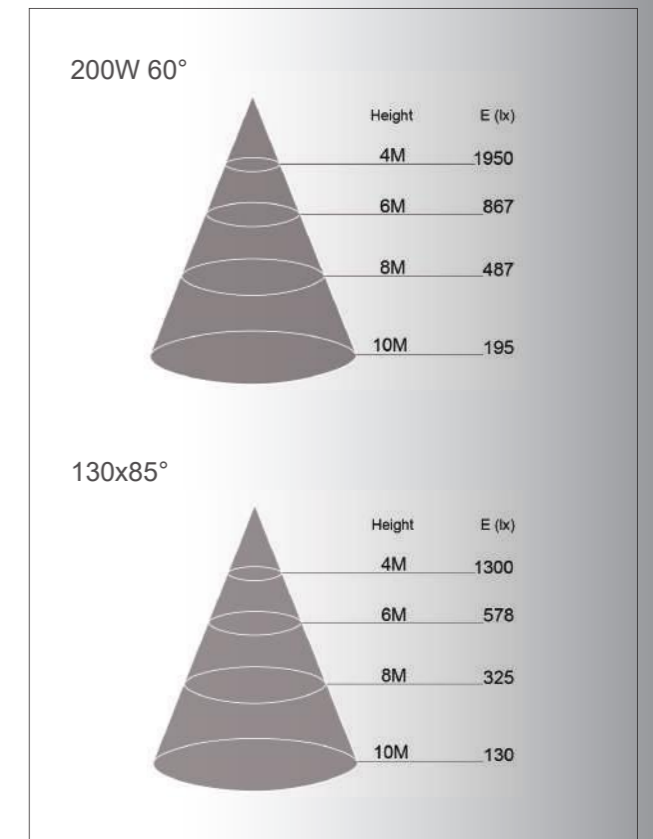
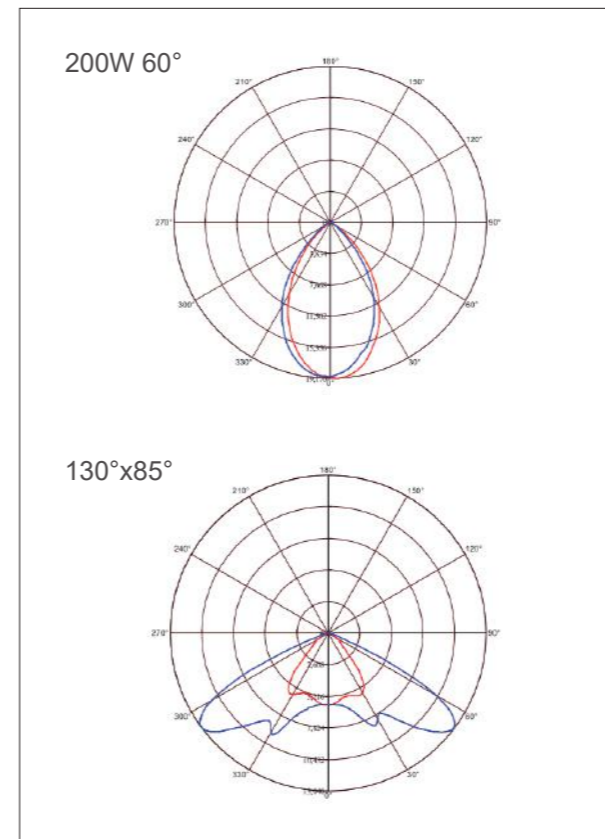
Input Voltage	120-277 VAC : 220-240 VAC : 347-480 VAC
Frequency	50 / 60 Hz
Power Consumption	100W : 150W : 200W : 240W : 400W
Power Factor	>0.95
Dimming Function	1-10V : DALI : Motion Sensor : Bluetooth : Zigbee
Surge Protection	10KV / 5KA
Optical Design	60° / 130°x85° / 120°
IP Rating	IP65
IK Level	IK08
Operating Temperature	-40°C~+50°C
LED Lifetime	> 50,000 hrs @ L70
Safety Standard	ETL (120-277 VAC) : CE



Waggate	100W : 150W : 200W : 240W	400W
Package Dimensions	640x400x96 mm	640x810x96 mm (Parallel) 1290x400x96 mm (Series)
Net weight	6.9 kg	14.2kg



		100W	150W	200W	240W	400W
3000K	Luminous Flux	12,000 lm	18,000 lm	24,000 lm	28,800 lm	48,000 lm
	Luminous Efficiency	120 lm/W				
	Colour Rendering Index	70 min				
4000K	Luminous Flux	13,000 lm	19,500 lm	26,000 lm	31,200 lm	52,000 lm
	Luminous Efficiency	130 lm/W				
	Colour Rendering Index	70 min				
5000K	Luminous Flux	13,000 lm	19,500 lm	26,000 lm	31,200 lm	52,000 lm
	Luminous Efficiency	130 lm/W				
	Colour Rendering Index	70 min				





Flood Light

Flood Light in Jisheng Temple in Miaoli City, Taiwan, 2012.



Ad board



building

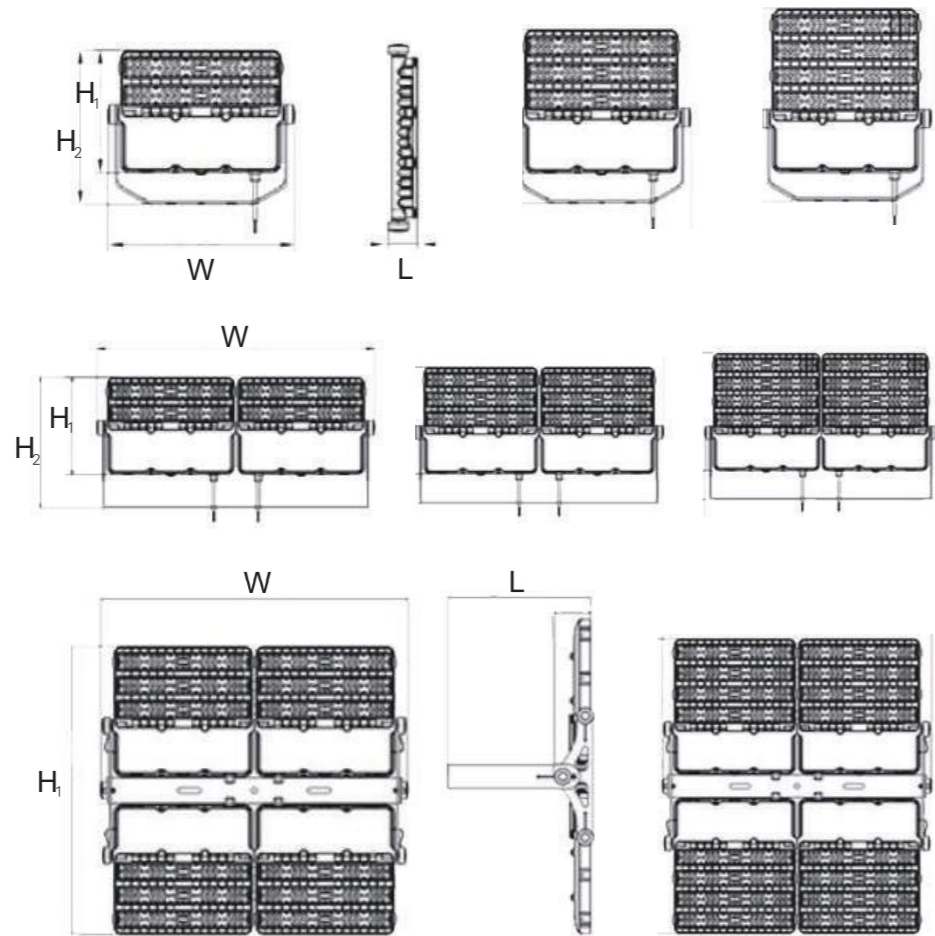


square



basketball court

Transformers



Model	H1	H2	W	L
Mini	245	310	365	60
Medium	300	365		
Large	355	420		
Double 1	245	329	695	65
Double 2	300	385		
Double 3	355	435		
Quadruple 1	645	711	351.5	
Quadruple 2	775			

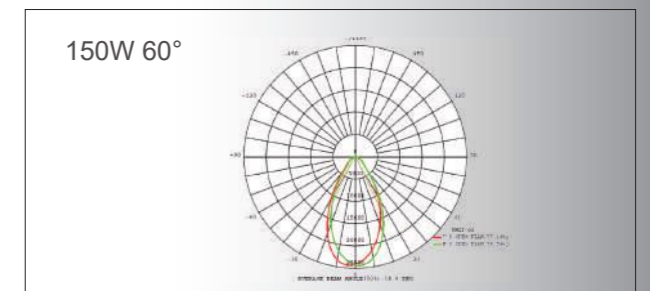
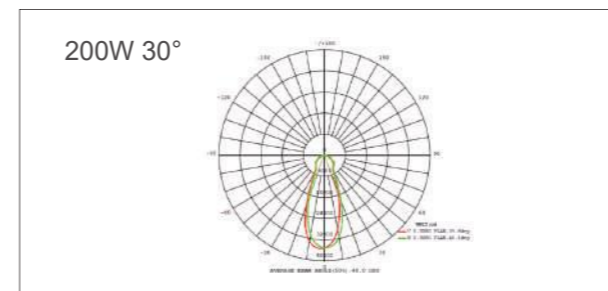
(mm)

Input Voltage	120-277 VAC : 220-240 VAC : 347-480 VAC
Frequency	50 / 60 Hz
Power Consumption	80W - 800W
Power Factor	>0.95
Dimming Function	1-10V : DALI : Motion Sensor : Bluetooth : Zigbee
Surge Protection	10KV / 5KA
Optical Design	30° / 60° / 90° / 80×140°
IP Rating	IP66 : Wet Location
IK Level	IK08
Operating Temperature	-40°C~+50°C
LED Lifetime	> 50,000 hrs @ L70
Safety Standard	CE

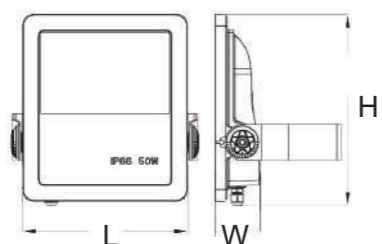


Model	Mini 100W	Medium 150W	Large 200W	Double 1 200W	Double 2 300W	Double 3 400W	Quadruple 1 600W	Quadruple 2 800W
Package Dimensions	395 x345 x90mm	395 x395 x90mm	395 x450 x90mm	725 x359 x95mm	725 x415 x95mm	725 x465 x95mm	741 x675 x135mm	725 x785 x135mm
Net weight	3.33 Kg	3.8 Kg	4.65 Kg	6.66 Kg	7.6 Kg	9.3 Kg	16.2 Kg	21.6 Kg
Gross weight	4.03 Kg	4.8 Kg	5.65 Kg	7.66 Kg	8.6 Kg	10.3 Kg	17.2 Kg	22.6 Kg

		Mini 100W	Medium 150W	Large 200W
3000K	Luminous Flux	15,000 lm	22,500 lm	30,000 lm
	Luminous Efficiency	150 lm/W		
	Colour Rendering Index	70 min		
4000K	Luminous Flux	16,000 lm	24,000 lm	32,000 lm
	Luminous Efficiency	160 lm/W		
	Colour Rendering Index	70 min		
5000K	Luminous Flux	16,000 lm	24,000 lm	32,000 lm
	Luminous Efficiency	160 lm/W		
	Colour Rendering Index	70 min		



Protector



Model	L	W	H
Mini	276	68	246
Medium	388		284
Large	426		322

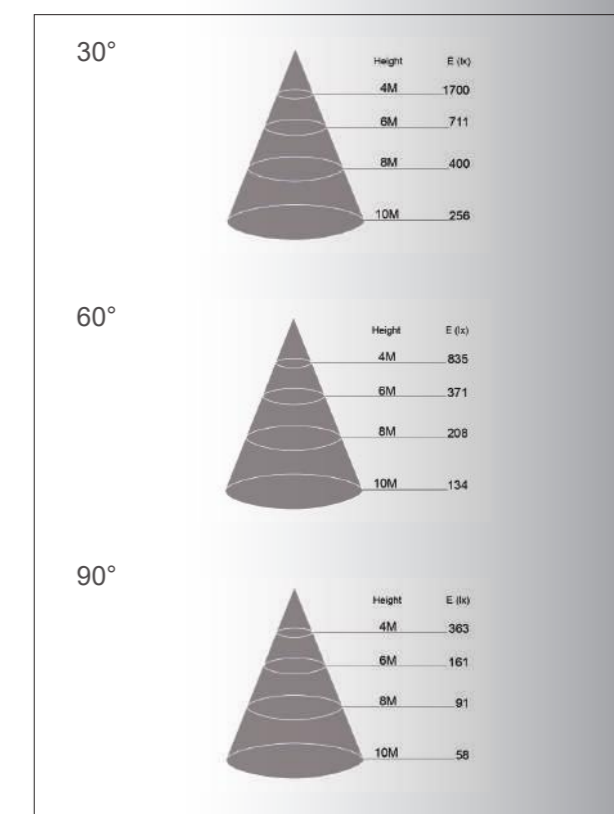
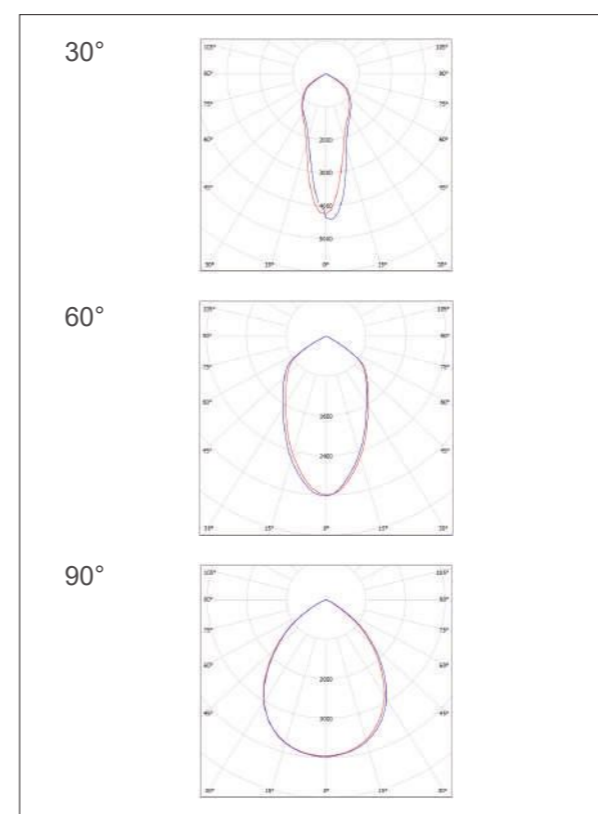
(mm)

Input Voltage	120-277 VAC : 220-240 VAC : 347-480 VAC
Frequency	50 / 60 Hz
Power Consumption	50W : 100W : 150W
Power Factor	>0.95
Dimming Function	1-10V : DALI : Motion Sensor : Bluetooth : Zigbee
Surge Protection	10KV / 5KA
Optical Design	30° / 60° / 90°
IP Rating	IP65 : Wet Location
IK Level	IK08
Operating Temperature	-40°C~+50°C
LED Lifetime	> 50,000 hrs @ L70
Safety Standard	CE

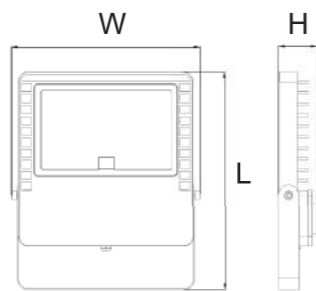


Model	Mini 50W	Medium 100W	Large 150W
Package Dimensions	330x330x130mm	450x340x130mm	485x380x130mm
Net weight	3.5 Kg	5.5 Kg	12.2 Kg
Gross weight	4.0 Kg	6.2 Kg	7.1 Kg

		Mini 50W	Medium 100W	Large 150W
3000K	Luminous Flux	5,000 lm	10,000 lm	15,000 lm
	Luminous Efficiency	100 lm/W		
	Colour Rendering Index	70 min		
4000K	Luminous Flux	5,500 lm	11,000 lm	16,500 lm
	Luminous Efficiency	110 lm/W		
	Colour Rendering Index	70 min		
5000K	Luminous Flux	5,500 lm	11,000 lm	16,500 lm
	Luminous Efficiency	110 lm/W		
	Colour Rendering Index	70 min		



Protector Plus



Model	L	W	H
Mini	325	298	75
Medium	373	430	75
Large	511	460	99

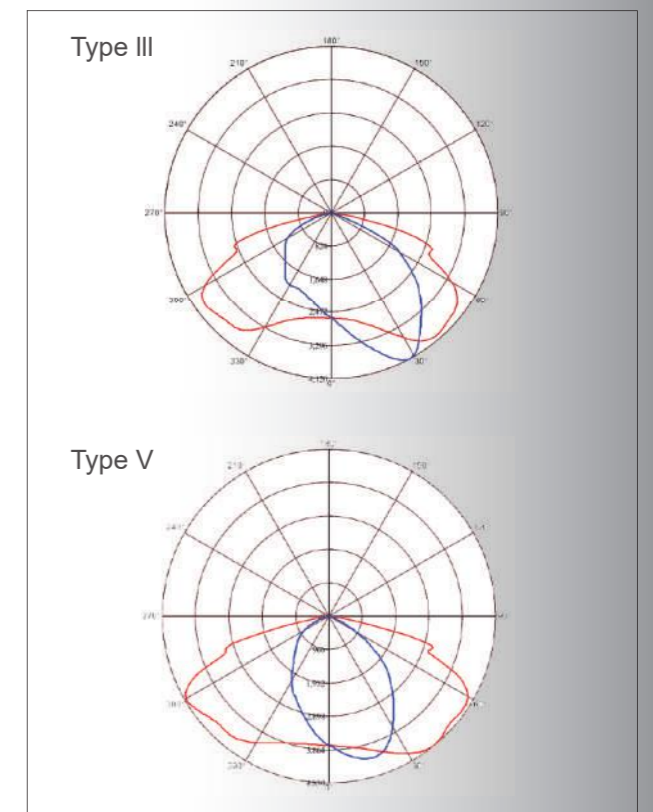
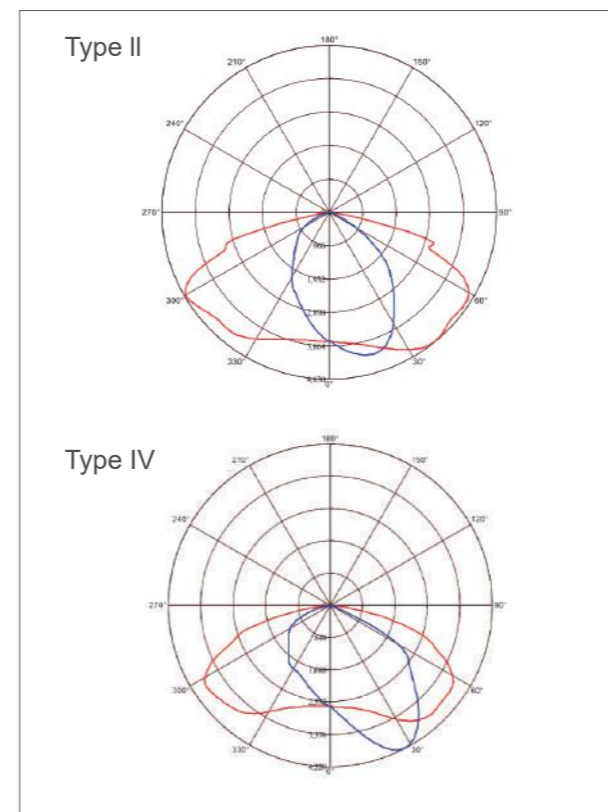
(mm)

Input Voltage	120-277 VAC ; 220-240 VAC ; 347-480 VAC
Frequency	50 / 60 Hz
Power Consumption	100W ; 200W ; 300W
Power Factor	>0.95
Dimming Function	1-10V ; DALI ; Motion Sensor ; Bluetooth ; Zigbee
Surge Protection	10KV / 5KA
Optical Design	Type II 、 III 、 IV 、 V
IP Rating	IP65 : Wet Location
IK Level	IK08
Operating Temperature	-40°C~+50°C
LED Lifetime	> 50,000 hrs @ L70
Safety Standard	UL & cUL (120-277 VAC)



Model	Mini 100W	Medium 200W	Large 300W
Package Dimensions	500x325x130mm	570x394x134mm	652x480x134mm
Net weight	4.3 Kg	6.4 Kg	9.7 Kg
Gross weight	5.1 Kg	7.4 Kg	10.8 Kg

		Mini 100W	Medium 200W	Large 300W
3000K	Luminous Flux	12,000 lm	24,000 lm	36,000 lm
	Luminous Efficiency	120 lm/W		
	Colour Rendering Index	70 min		
4000K	Luminous Flux	13,000 lm	26,000 lm	39,000 lm
	Luminous Efficiency	130 lm/W		
	Colour Rendering Index	70 min		
5000K	Luminous Flux	13,000 lm	26,000 lm	39,000 lm
	Luminous Efficiency	130 lm/W		
	Colour Rendering Index	70 min		





Street Light

Street Light, Industrial area in Kaohsiung City, Taiwan, 2014.



street

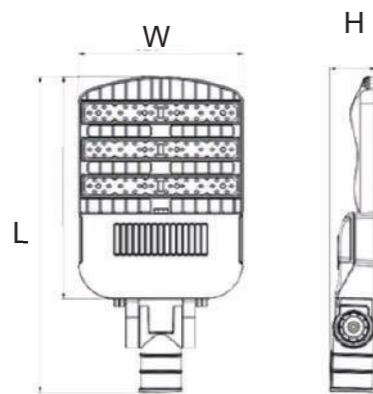


park



parking lot

Street sign



Model	H	W	L
100W	88	320	540
150W			613
200W			686
250W			759

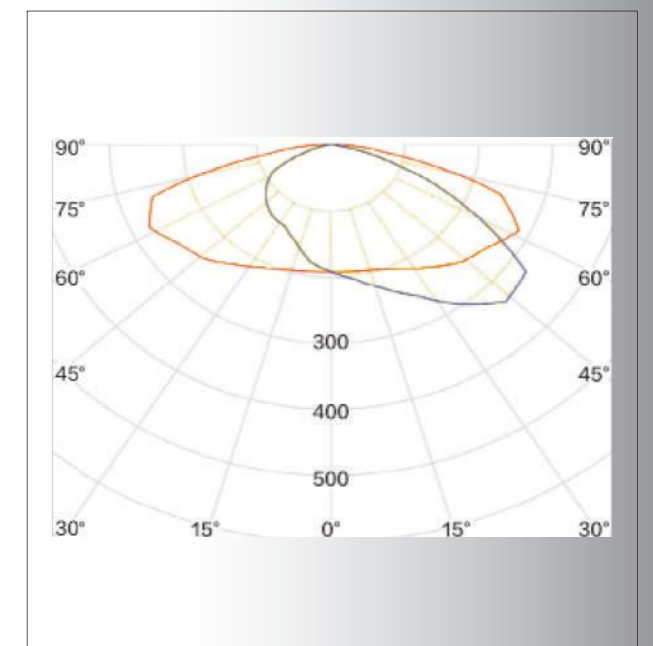
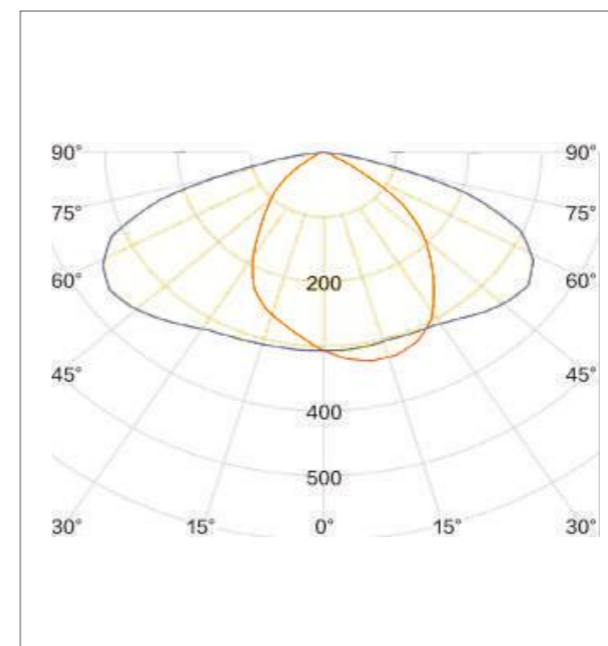
(mm)

Input Voltage	120-277 VAC : 220-240 VAC : 347-480 VAC
Frequency	50 / 60 Hz
Power Consumption	80W - 250W
Power Factor	>0.95
Dimming Function	1-10V : DALI : 2G / 3G : Zigbee : NBIOT
Sensor	Motion : Daylight
Socket	NEMA : OLMA
Surge Protection	10KV / 5KA
Optical Design	80x140°
IP Rating	IP66 : Wet Location
IK Level	IK08
Operating Temperature	-40°C~+50°C
LED Lifetime	> 50,000 hrs @ L70
Safety Standard	CE

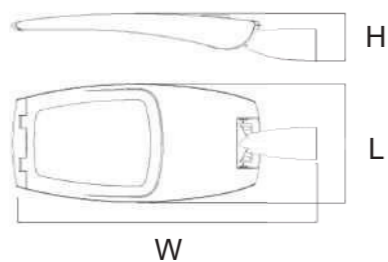


Model	100W	150W	200W	250W
Package Dimensions	108x340x560mm	108x340x633mm	108x340x706mm	108x340x779mm
Net weight	4.6 Kg	5.2 Kg	5.8 Kg	6.3 Kg
Gross weight	5.1 Kg	5.7 Kg	6.3 Kg	6.8 Kg

		100W	150W	200W	250W
3000K	Luminous Flux	15,000 lm	22,500 lm	30,000 lm	37,500 lm
	Luminous Efficiency	Up to 150 lm/W			
	Colour Rendering Index	70 min			
4000K	Luminous Flux	16,000 lm	24,000 lm	32,000 lm	40,000 lm
	Luminous Efficiency	Up to 160 lm/W			
	Colour Rendering Index	70 min			
5000K	Luminous Flux	16,000 lm	24,000 lm	32,000 lm	40,000 lm
	Luminous Efficiency	Up to 160 lm/W			
	Colour Rendering Index	70 min			



Street Cerium



Model	L	W	H
Mini	241	641	114
Medium	289	738	116
Large	360	922	144

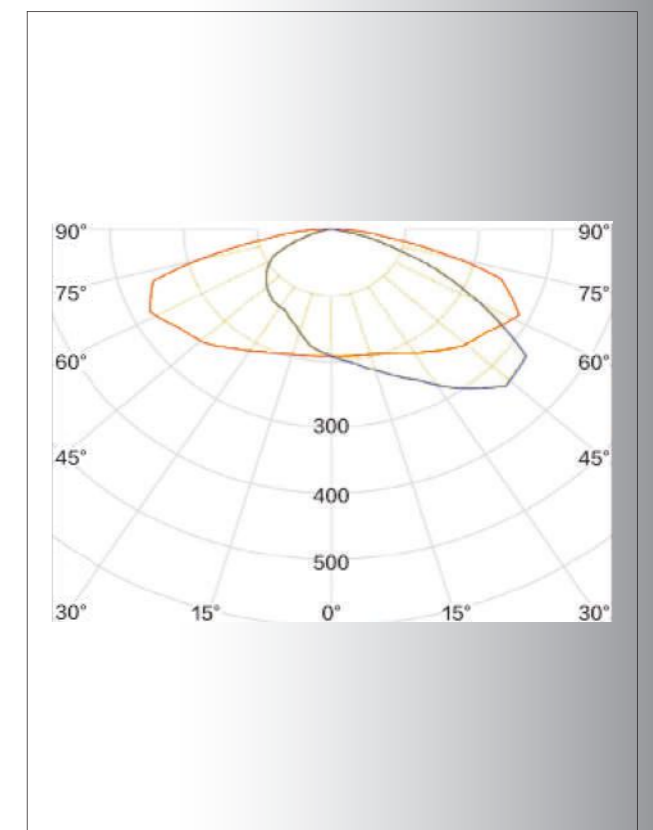
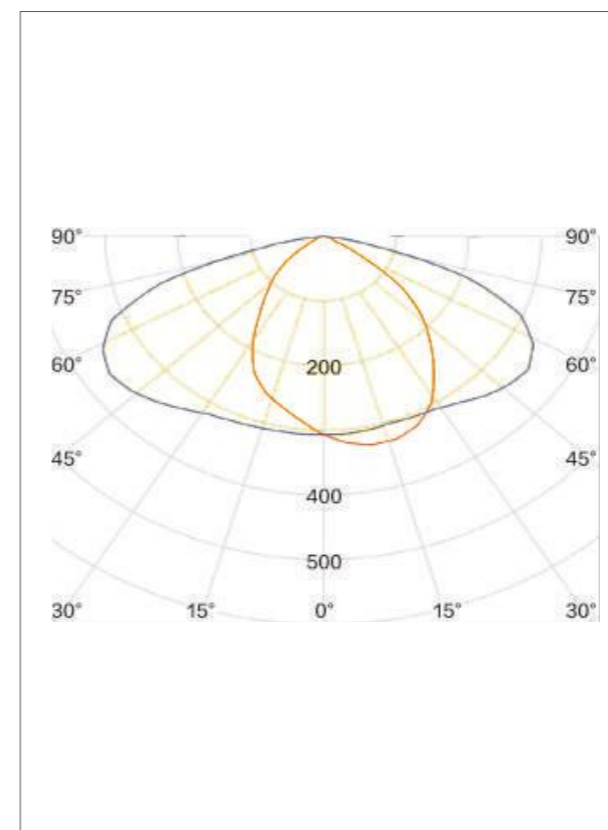
(mm)

Input Voltage	220-240 VAC
Frequency	50 / 60 Hz
Power Consumption	55W : 105W : 150W
Power Factor	>0.95
Dimming Function	1-10V : DALI : 2G / 3G : Zigbee : NBIOT
Sensor	Motion : Daylight
Socket	NEMA : OLMA
Surge Protection	10KV / 5KA
Optical Design	Type II \ III
IP Rating	IP66
IK Level	IK08
Operating Temperature	-40°C~+50°C
LED Lifetime	> 50,000 hrs @ L70
Safety Standard	CE

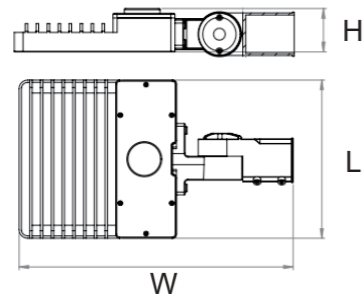


Model	Mini 55W	Medium 105W	Large 150W
Package Dimensions	690x290x165mm	790x340x165mm	970x410x195mm
Net weight	3.9 Kg	5.4 Kg	9.8 Kg
Gross weight	4.6 Kg	6.5 Kg	11.3 Kg

		Mini 55W	Medium 105W	Large 150W
3000K	Luminous Flux	7,150 lm	13,650 lm	19,500 lm
	Luminous Efficiency	Up to 130 lm/W		
	Colour Rendering Index	70 min		
4000K	Luminous Flux	7,700 lm	14,700 lm	21,000 lm
	Luminous Efficiency	Up to 140 lm/W		
	Colour Rendering Index	70 min		
5000K	Luminous Flux	7,700 lm	14,700 lm	21,000 lm
	Luminous Efficiency	Up to 140 lm/W		
	Colour Rendering Index	70 min		



Street Stone



Model	L	W	H
Mini	450	275	84
Medium	520	344	
Large	602	430	

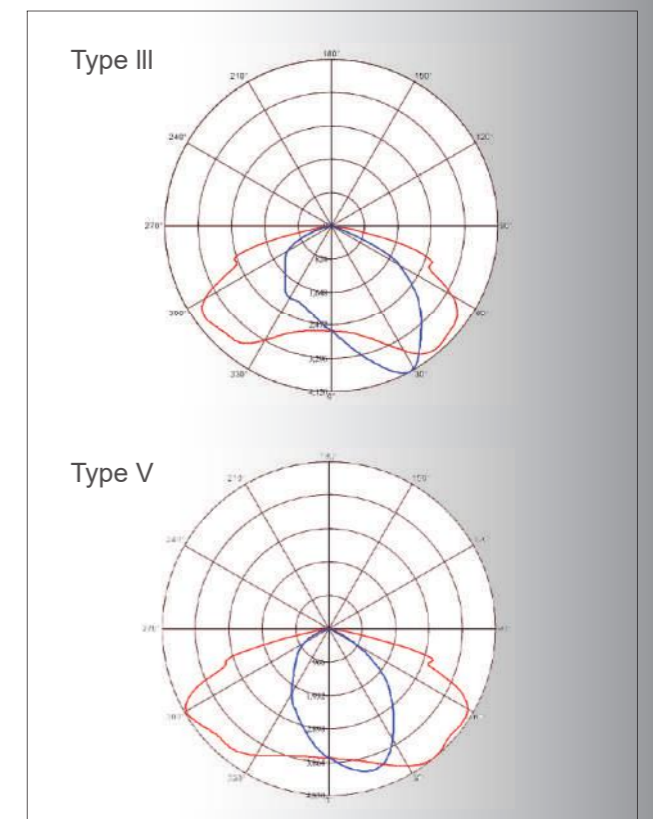
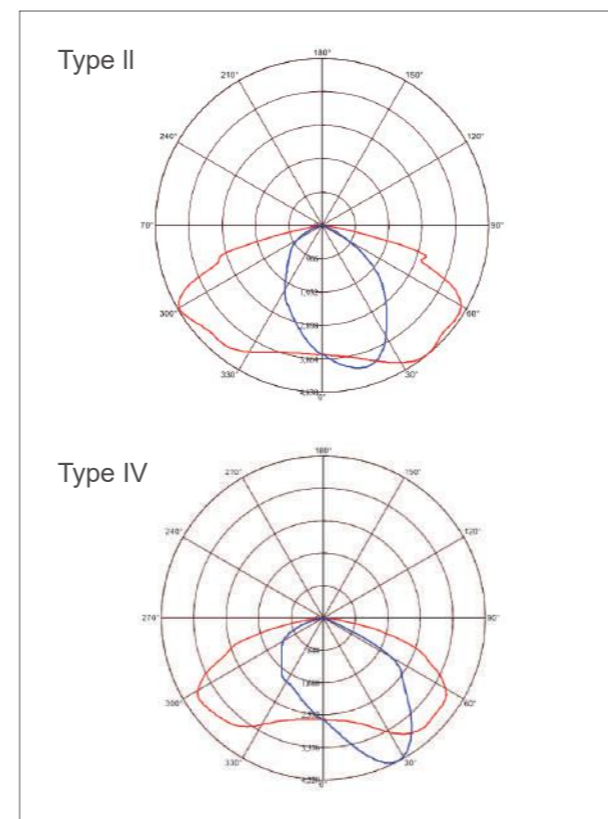
(mm)

Input Voltage	120-277 VAC ; 347-480 VAC
Frequency	50 / 60 Hz
Power Consumption	100W : 200W : 300W
Power Factor	>0.95
Dimming Function	1-10V : DALI : 2G / 3G : Zigbee : NBIOT
Sensor	Motion : Daylight
Socket	NEMA : OLMA
Surge Protection	10KV / 5KA
Optical Design	Type II \ III \ IV \ V
IP Rating	Wet Location
IK Level	IK08
Operating Temperature	-40°C~+50°C
LED Lifetime	> 50,000 hrs @ L70
Safety Standard	UL & cUL (120-277 VAC) : CE

Model	Mini 100W	Medium 200W	Large 300W
Package Dimensions	500x325x130mm	570x394x134mm	652x480x134mm
Net weight	4.3 Kg	6.4 Kg	9.7 Kg
Gross weight	5.1 Kg	7.4 Kg	10.8 Kg



		Mini 100W	Medium 200W	Large 300W
3000K	Luminous Flux	12,000 lm	24,000 lm	36,000 lm
	Luminous Efficiency	120 lm/W		
	Colour Rendering Index	70 min		
4000K	Luminous Flux	13,000 lm	26,000 lm	39,000 lm
	Luminous Efficiency	130 lm/W		
	Colour Rendering Index	70 min		
5000K	Luminous Flux	13,000 lm	26,000 lm	39,000 lm
	Luminous Efficiency	130 lm/W		
	Colour Rendering Index	70 min		



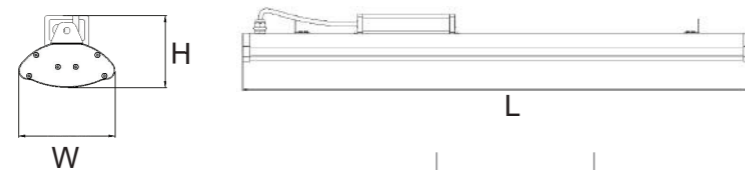


Tunnel Light

Tunnel Light in Tunnel in Qidu Dist., Keelung City, Taiwan, 2016.



Tunnel Firefly



Model	L	W	H
50W	320	150	111
75W	470		
100W	620		

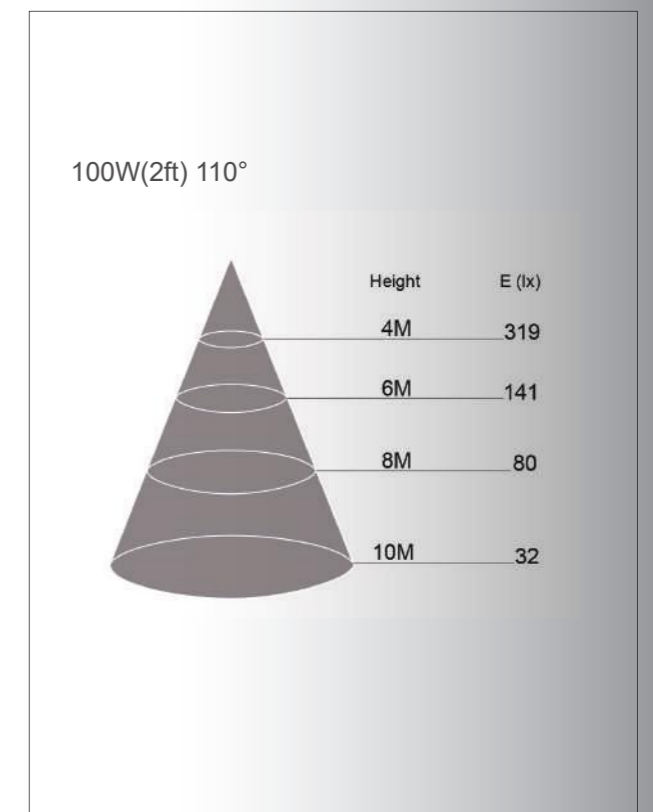
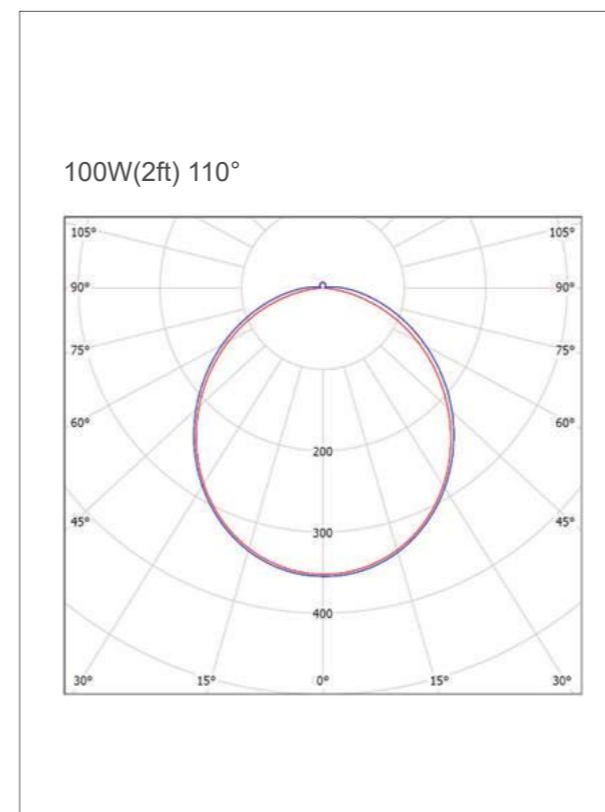
(mm)

Input Voltage	120-277 VAC : 220-240 VAC
Frequency	50 / 60 Hz
Power Consumption	50W(1ft) : 75W(1.5ft) : 100W(2ft)
Power Factor	>0.95
Dimming Function	1-10V : DALI
Surge Protection	4KV / 4KA
Optical Design	110°
IP Rating	IP66 : Wet Location
IK Level	IK08
Operating Temperature	-40°C~+50°C
LED Lifetime	> 50,000 hrs @ L70
Safety Standard	ETL (120-277 VAC) : CE

Model	50W	75W	100W
Package Dimensions	350x180x140mm	500x180x140mm	650x180x140mm
Net weight	1.4 Kg	2.1 Kg	2.8 Kg
Gross weight	1.7 Kg	2.5 Kg	3.4 Kg



		50W	75W	100W
3000K	Luminous Flux	6,500 lm	9,750 lm	13,000 lm
	Luminous Efficiency	130 lm/W		
	Colour Rendering Index	80 min		
4000K	Luminous Flux	7,250 lm	10,875 lm	14,500 lm
	Luminous Efficiency	145 lm/W		
	Colour Rendering Index	80 min		
5000K	Luminous Flux	7,250 lm	10,875 lm	14,500 lm
	Luminous Efficiency	145 lm/W		
	Colour Rendering Index	80 min		



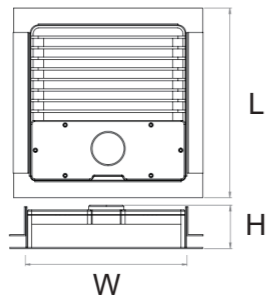


Canopy

Canopy in Gas station in Yulin City, Taiwan, 2015.



White Cube



Model	L	W	H
Mini	335	335	84
Large	405	405	

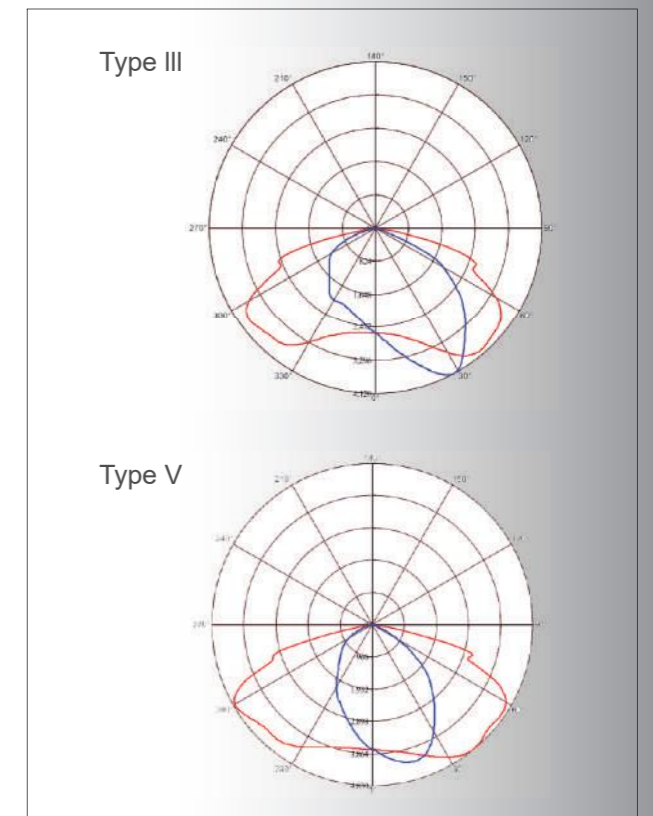
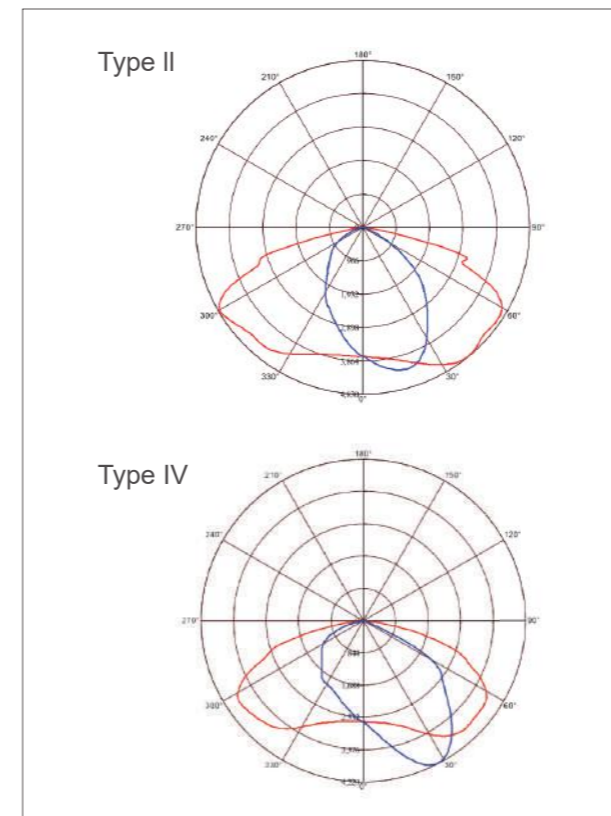
(mm)

Input Voltage	120-277 VAC : 220-240 VAC : 347-480 VAC
Frequency	50 / 60 Hz
Power Consumption	100W : 200W
Power Factor	>0.95
Dimming Function	1-10V : DALI : Motion Sensor : Bluetooth : Zigbee
Surge Protection	10KV / 5KA
Optical Design	Type II \ III \ IV \ V
IP Rating	IP66 : Wet Location
IK Level	IK08
Operating Temperature	-40°C~+50°C
LED Lifetime	> 50,000 hrs @ L70
Safety Standard	ETL prepared : CE



Model	Mini 100W	Large 200W
Package Dimensions	385x385x134 mm	455x455x134 mm
Net weight	4.0 Kg	6.1 Kg
Gross weight	4.8 Kg	7.1 Kg

		Mini 100W	Large 200W
3000K	Luminous Flux	12,000 lm	24,000 lm
	Luminous Efficiency	120 lm/W	
	Colour Rendering Index	70 min	
4000K	Luminous Flux	13,000 lm	26,000 lm
	Luminous Efficiency	130 lm/W	
	Colour Rendering Index	70 min	
5000K	Luminous Flux	13,000 lm	26,000 lm
	Luminous Efficiency	130 lm/W	
	Colour Rendering Index	70 min	



The logo for STEMOD, featuring the word "STEMOD" in a bold, italicized, orange sans-serif font.

STEMOD Technology LTD.

TEL : +886-2-89145894

Email : sales@stemod.com

Web : www.stemod.com

Office Add : 5F., No.94, Baozhong Rd., Xindian Dist., New Taipei City 231, Taiwan

Factory Add : LDG 5, Huafeng Tech Industrial Park, Shiyan Town, Shenzhen, China